

Small Plastic Package, Dual SPDT Analog Switch
Features

- CMOS Technology for Bus and Analog Applications
- Low On-Resistance: 0.6Ω.
- Wide V_{CC} Range: 2.7V to 4.2V ±10%
- Rail-to-Rail Signal Range
- High Off Isolation: -75dB @ 100kHz
- Crosstalk Rejection Reduces Signal Distortion: -90dB @ 100kHz
- Break-Before-Make Switching
- Extended Industrial Temperature Range: -40°C to 85°C
- Packaging (Pb-free & Green): 10-contact TQFN (ZL10)

Applications

- Cell Phones
- PDAs
- MP3 players
- Portable Instrumentation
- Computer Peripherals
- Speaker Headset Switching
- Power Routing
- Relay Replacement
- Audio and Video Signal Routing
- PCMCIA Cards
- Modems

Pin Description

Pin #	Name	Description
5, 2	NO _X	Data Port (Normally open)
3	GND	Ground
10, 7	NC _X	Data Port (Normally closed)
6, 1	COM _X	Common Output / Data Port
9	V _{CC}	Positive Power Supply
4, 8	IN _X	Logic Control

Logic Function Table

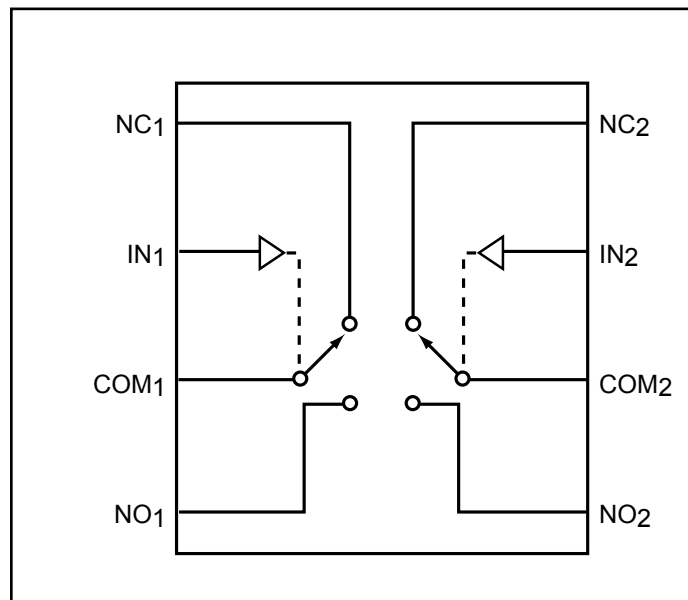
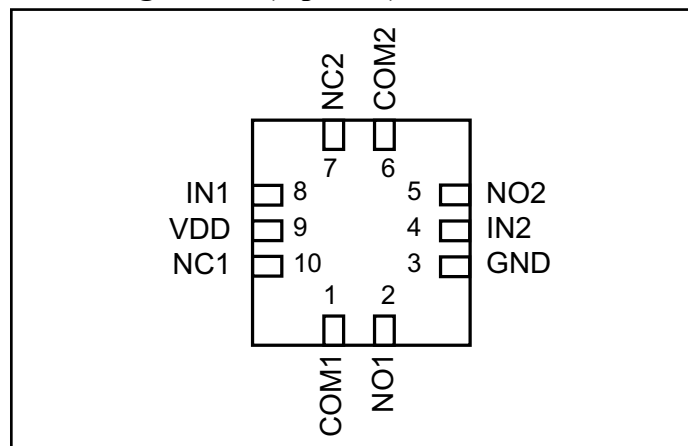
Logic Input (IN _X)	Function
0	NC _X Connected to COM _X
1	NO _X Connected to COM _X

Note: x = 1 or 2

Description

Pericom Semiconductor's PI3A212 is a dual high-bandwidth, fast single-pole double throw (SPDT) CMOS switch. It can be used as an analog switch or as a low-delay bus switch. Specified over a wide operating power supply voltage, 2.7V to 4.2V, the PI3A212 has an On-Resistance of 0.6Ω at +2.7V.

Break-before-make switching prevents both switches being enabled simultaneously. This eliminates signal disruption during switching.

Functional Block Diagram

Pin Configuration (top view)


Absolute Maximum Ratings⁽¹⁾

Supply Voltage V_{CC}	-0.5V to 4.6V
DC Switch Voltage (V_S) ⁽²⁾	-0.5V to $V_{CC} + 0.5V$
DC Input Voltage (V_{IN}) ⁽²⁾	-0.5V to 4.6V
Continuous Current NO_NC_COM_	±300mA
Peak Current NO_NC_COM_	
(pulsed at 1ms 50% duty cycle)	±400mA
Peak Current NO_NC_COM_	
(pulsed at 1ms 10% duty cycle)	±500mA
Storage Temperature Range (T_{STG})	-65°C to +150°C
Junction Temperature under Bias (T_J)	150°C
Junction Lead Temperature (T_L)	
(Soldering, 10 seconds)	260°C
Power Dissipation (P_D) @ +85°C	250mW

Recommended Operating Conditions⁽³⁾

Supply Voltage Operating (V_{CC})	2.7V to 4.2V ±10%
Control Input Voltage (V_{IN})	0V to V_{CC}
Switch Input Voltage (V_{IN})	-0.3V to V_{CC}
Output Voltage (V_{OUT})	0V to V_{CC}
Operating Temperature (T_A)	-40°C to +85°C
Input Rise and Fall Time (t_r, t_f)	
Control Input $V_{CC} = 2.3V - 3.6V$	0ns/V to 10ns/V
Thermal Resistance (θ_{JA})	350°C/W
Lead Temperature (soldering 10s)	+300°C
Bump Temperature (soldering notes)	
Infrared (15s)	+220°C
Vapor Phase (60ns)	+215°C

Notes:

1. "Absolute Maximum Ratings" may cause permanent damage to the device. This is a stress only rating and operation of the device at these or any other conditions beyond those indicated in the operational sections of this specification is not implied.
2. The input and output negative voltage ratings may be exceeded if the input and output diode current ratings are observed.
3. Control input must be held HIGH or LOW; it must not float.

DC Electrical Characteristics +3V Supply

 ($V_{CC} = 2.7V$ to $3.3V$, $T_A = -40^{\circ}C$ to $85^{\circ}C$, unless otherwise noted. Typical values are at $3V$ and $+25^{\circ}C$.)

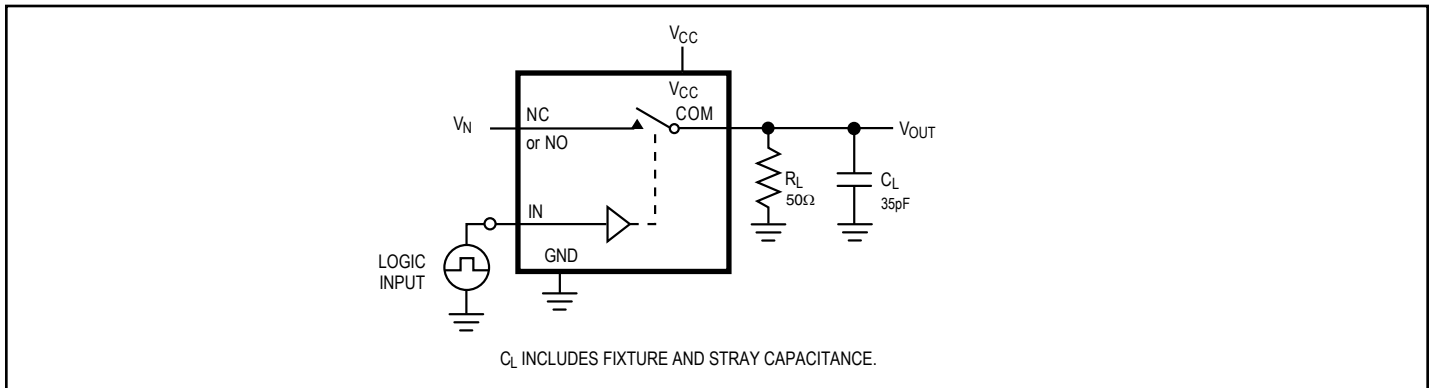
Parameter	Symbol	Test Conditions	Min.	Typ.	Max.	Units
Analog Switch						
Analog Signal Range	V_{NO}, V_{NC}, V_{COM}		-0.3		V_{CC}	V
NC On-Resistance	$R_{ON(NC)}$	$V_{CC} = 2.7V, I_{COM} = 100mA, V_{NC} = 0$ to V_{CC}		0.6	0.8	Ω
NO On-Resistance	$R_{ON(NO)}$	$V_{CC} = 2.7V, I_{COM} = 100mA, V_{NO} = 0$ to V_{CC}		0.6	0.8	
On-Resistance Match Between Channels	ΔR_{ON}	$V_{CC} = 2.7V, I_{COM} = 100mA, V_{NO}$ or $V_{NC} = 1.5V$		0.01	0.06	
NC On-Resistance Flatness	$R_{ONF(NC)}$	$V_{CC} = 2.7V, I_{COM} = 100mA, V_{NC} = 0$ to V_{CC}			0.2	
NO On-Resistance Flatness	$R_{ONF(NO)}$	$V_{CC} = 2.7V, I_{COM} = 100mA, V_{NO} = 0$ to V_{CC}			0.2	
NO or NC Off Leakage Current	$I_{OFF(NO)}$ or $I_{OFF(NC)}$	$V_{CC} = 3.3V, V_{NO}$ or $V_{NC} = 3V, 0.3V, V_{COM} = 0.3V, 3V$	-400		400	nA
COM On Leakage Current	$I_{COM(ON)}$	$V_{CC} = 3.3V, V_{NO}$ or $V_{NC} = 3V, 0.3V, V_{COM} = 3V, 0.3V$, or floating	-160		160	
Digital I/O						
Input Logic High	V_{IH}		1.3			V
Input Logic Low	V_{IL}				0.6	
Input Hysteresis	V_H	$V_{CC} = 3.3V$		100		mV
IN Input Leakage Current	I_{IN}	$V_{IN} = 0$ or V_{CC}	-0.5		0.5	μA
Supply Current	I_{CC}	$V_{CC} = 3.6V, V_{IN} = 0$ or V_{CC}		100	250	nA

Switch and AC Characteristics

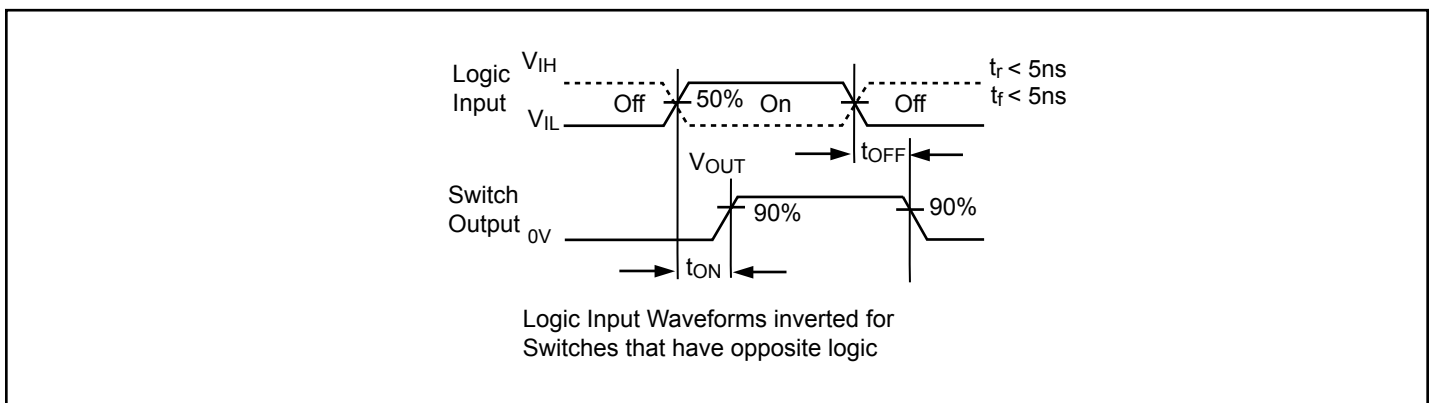
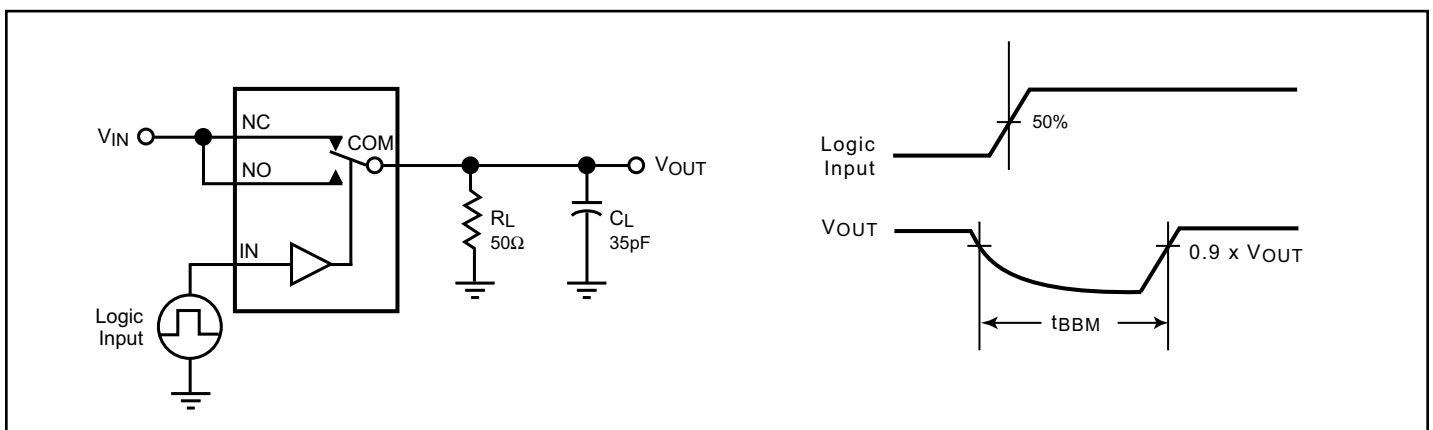
Parameter	Symbol	Test Conditions	Min.	Typ.	Max.	Units
Turn-On Time	t _{ON}	V _{CC} = 2.7V, V _{NO} or V _{NC} = 1.5V, R _L = 50Ω, C _L = 35pF, <i>See Test Circuit Figure 1 & 2.</i>		15	25	ns
Turn-Off Time	t _{OFF}	V _{CC} = 2.7V, V _{NO} or V _{NC} = 1.5V, R _L = 50Ω, C _L = 35pF, <i>See Test Circuit Figure 1 & 2.</i>		4	10	
Break-Before-Make Delay	t _{BBM}	V _{CC} = 2.7V, V _{NO} or V _{NC} = 1.5V, R _L = 50Ω, C _L = 35pF, <i>See Test Circuit Figure 3.</i>			20	
Charge Injection	Q	COM = 0, R _S = 0, C _L = 1nF, <i>See Test Circuit Figure 4.</i>		55		pC
Off-Isolation	O _{IRR}	C _L = 5pF, R _L = 50Ω, f = 100kHz, V _{COM} = 1 V _{RMS} , <i>See Test Circuit Figure 5.</i>		-75		dB
Crosstalk	X _{TALK}	C _L = 5pF, R _L = 50Ω, f = 100kHz, V _{COM} = 1 V _{RMS} , <i>See Test Circuit Figure 6.</i>		-90		
3dB Bandwidth	f _{3dB}	<i>See Test Circuit Figure 9.</i>		60		MHz

Capacitance

Parameter	Symbol	Test Conditions	Min.	Typ.	Max.	Units
NC Off Capacitance	C _{NC (OFF)}	f = 1MHz, <i>See Test Circuit Figure 7.</i>		35		pF
NO Off Capacitance	C _{NO (OFF)}	f = 1MHz, <i>See Test Circuit Figure 7.</i>		35		
NC On Capacitance	C _{NC (ON)}	f = 1MHz, <i>See Test Circuit Figure 8.</i>		95		
NO On Capacitance	C _{NO (ON)}	f = 1MHz, <i>See Test Circuit Figure 8.</i>		95		

Test Circuits and Timing Diagrams

Figure 1. AC Test Circuit
Notes:

1. Unused input (NC or NO) must be grounded.


Figure 2. AC Waveforms

Figure 3. Break Before Make Interval Timing

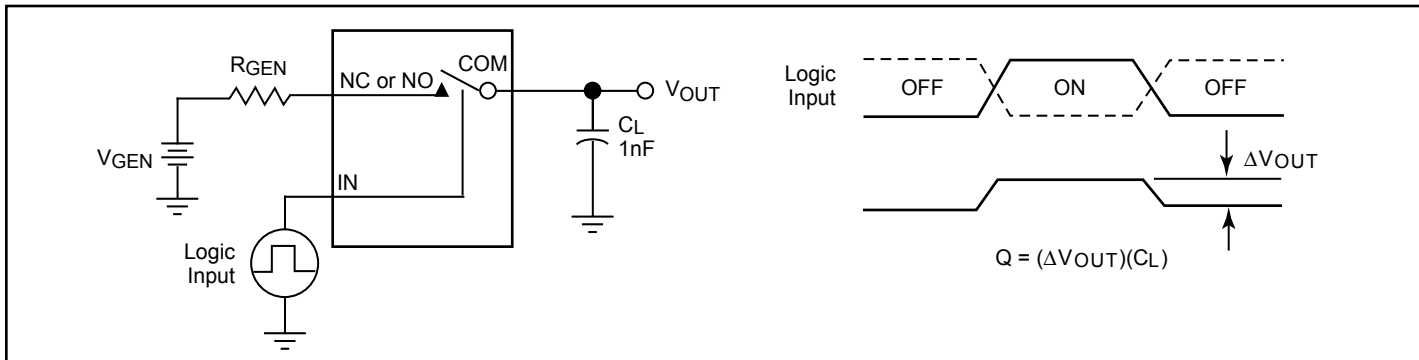


Figure 4. Charge Injection Test

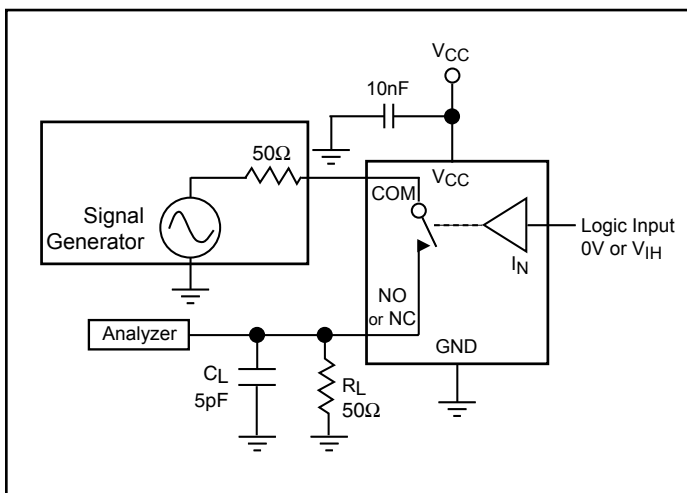


Figure 5. Off Isolation

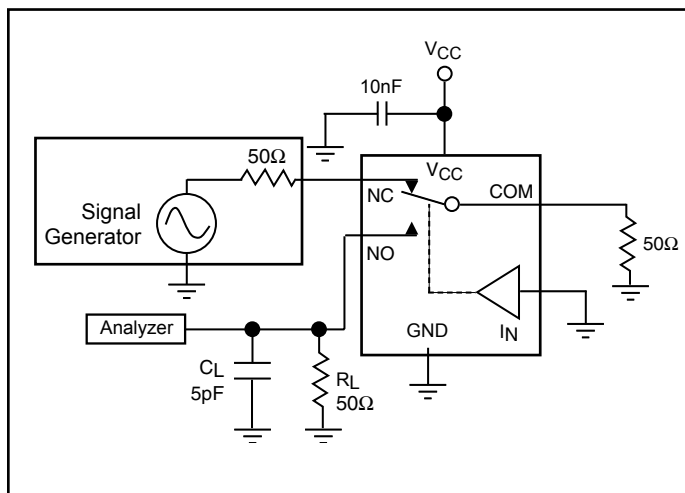


Figure 6. Crosstalk

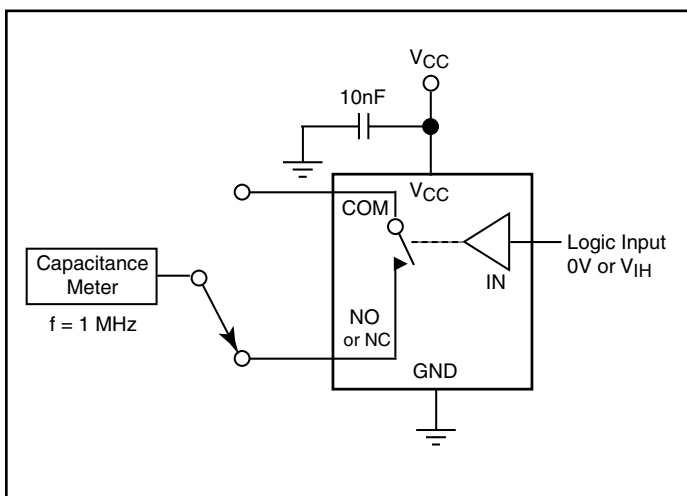


Figure 7. Channel Off Capacitance

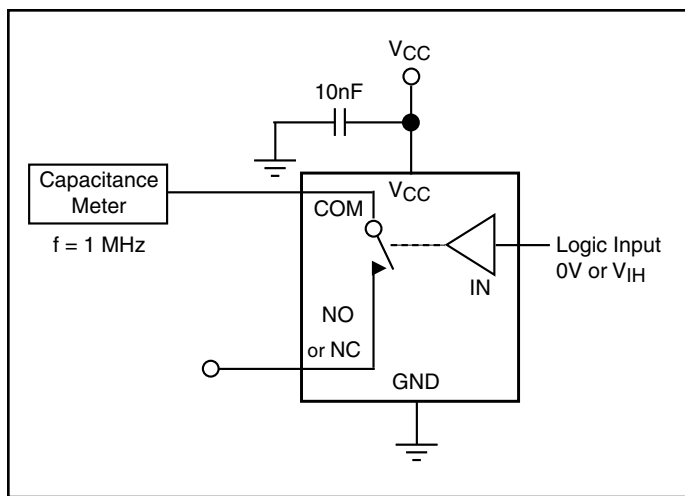


Figure 8. Channel On Capacitance

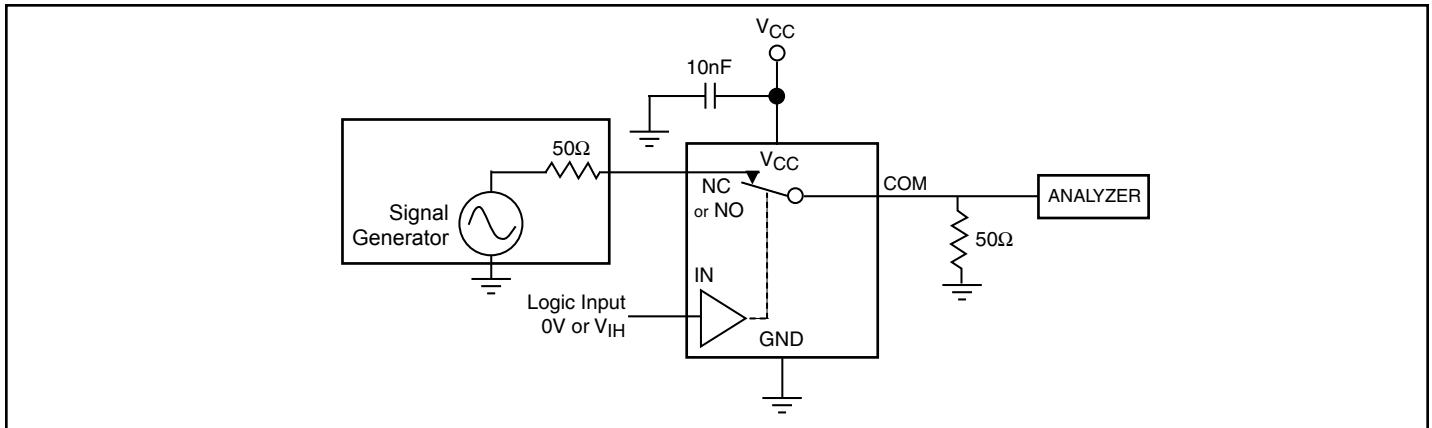
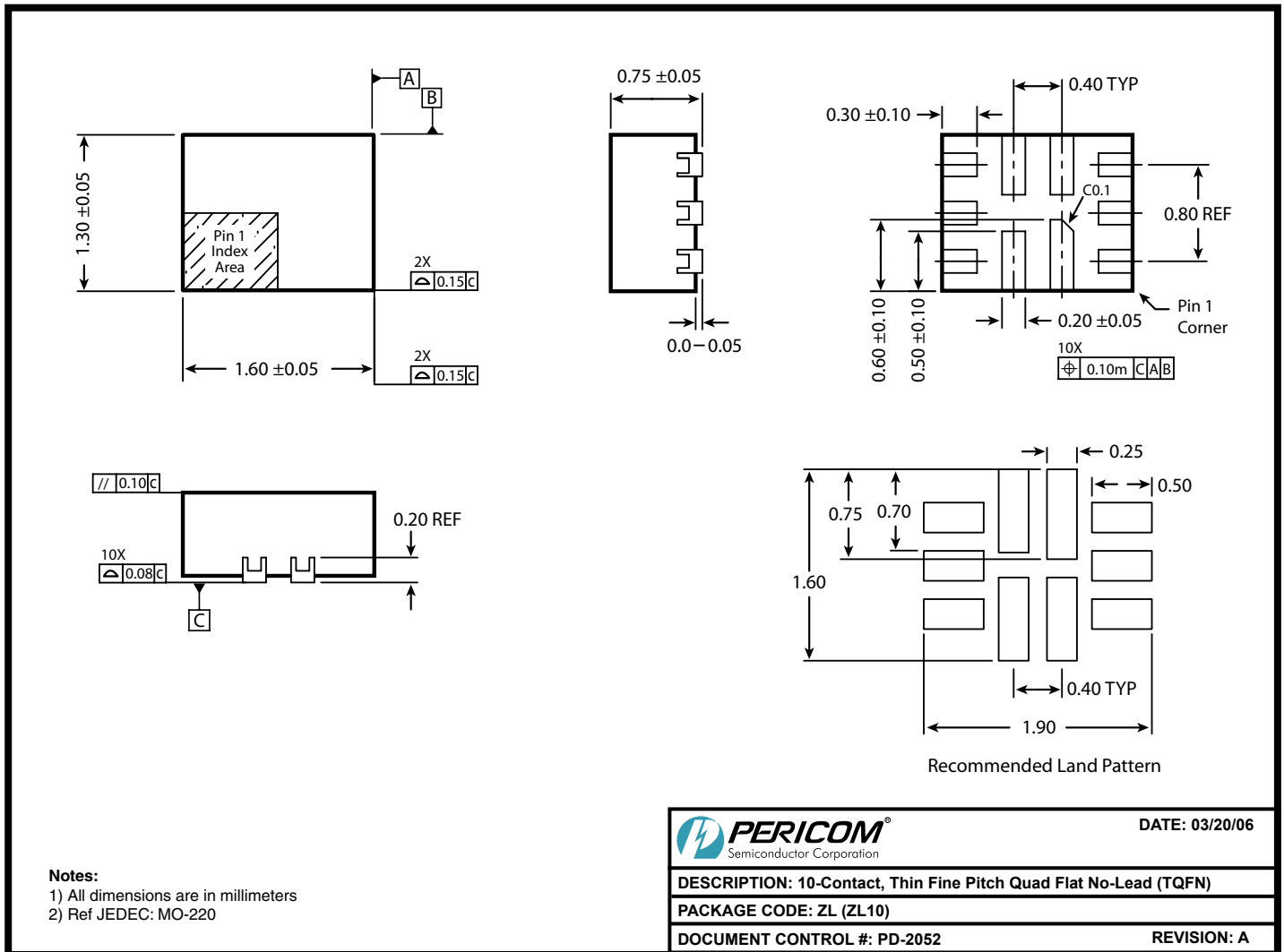


Figure 9. Bandwidth



Ordering Information

Ordering Code	Packaging Code	Package Type	Top Mark
PI3A212ZLEX	ZL	Pb-free & Green, 10-contact TQFN	2A

Notes:

- Thermal characteristics can be found on the company web site at www.pericom.com/packaging/
- E = Pb-free & Green
- X suffix = Tape/Reel